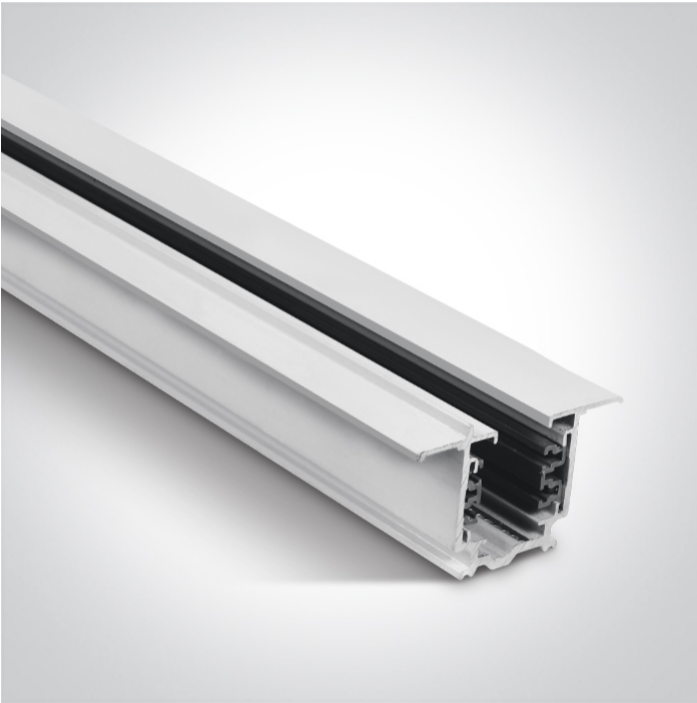


10 Tracks & Magnetic > Square Track Recessed

40003R/W



3-Phase 16A recessed track for commercial applications.

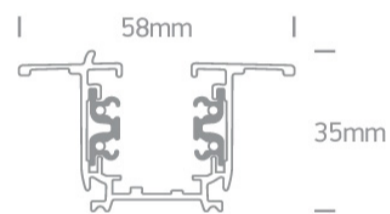
Complies with standard EN60598-1 and any other specific standards.



Downloads



Dimensions

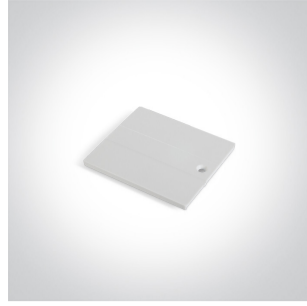




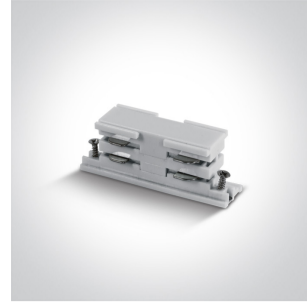
41004A/W/L



41004A/W/R



41004B/W



41008A/W



41008B/W



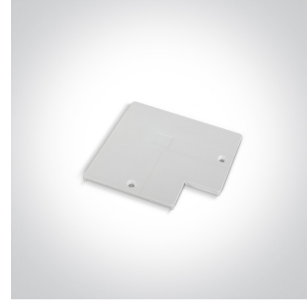
41010A/W



41012A/W/L



41012A/W/R



41012B/W



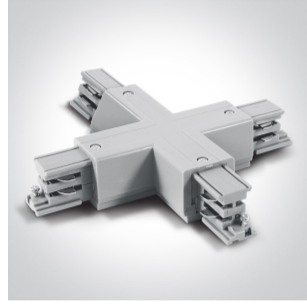
41016A/W/L



41016A/W/R



41016B/W



41018A/W



41022A/W



41024A/W



41034R

Physical Specification

Item Group	10 Tracks & Magnetic
Family	Square Track Recessed
Order Code	40003R/W
Colour	White
Material	Aluminium
Shape	Rectangular
Length	3000mm
Width	58mm
Height	35mm
Cutout Hole Width	40mm
Cutout Hole Length	3000mm
Recessed Ceiling	Yes
Depth Required	35mm
Indoor	Yes
Adjustable	No

Packing Info

Box Weight	2.960kg
Pcs/Carton	6
Barcode	5291889023425
HS Code	9405990090

Certification & Warranty

switch to
one light!

one
LIGHT

